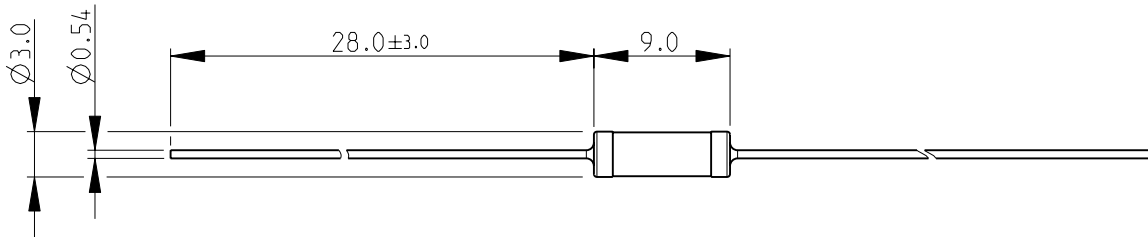
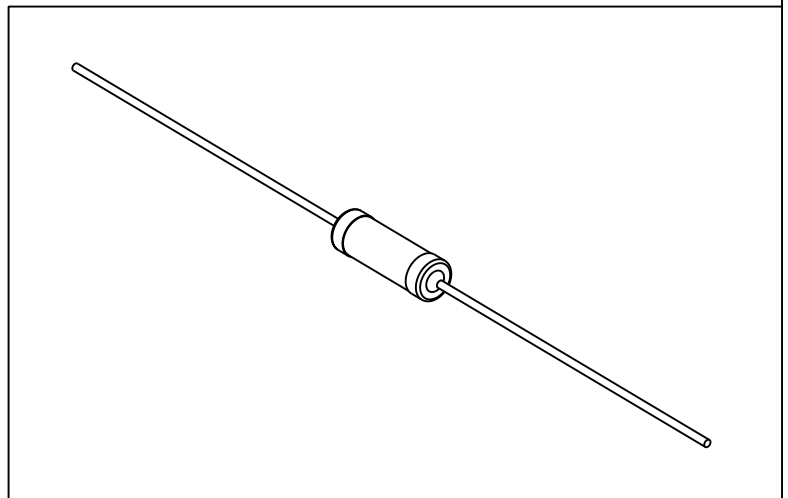


LOC	DIST	REVISIONS			
P	LTR	DESCRIPTION	DATE	DWN	APVD
E	B	BA1	REVISED PER ECO-11-005150	29MAR2011	RK HMR

FOR FURTHER INFORMATION SEE DATA SHEET FOR
CFR SERIES-CARBON FILM FIXED RESISTORS



RoHS Compliant




2008

RELEASED FOR PUBLICATION

ALL RIGHTS RESERVED.

THIS DRAWING IS UNPUBLISHED.

BY -
© COPYRIGHT 2008

DIMENSIONS: mm	DWN	20-Sep-08	MATERIAL	-	FINISH	-
	CHK	20-Sep-08	 TE Connectivity			
TOLERANCES UNLESS OTHERWISE SPECIFIED:	APVD	20-Sep-08				
	STEPHEN.P		NAME	CARBON FILM FIXED RESISTORS SERIES CFR50		
0 PLC ±0.2	PRODUCT SPEC	-	SIZE	CAGE CODE	DRAWING NO	RESTRICTED TO
1 PLC ±0.1	APPLICATION SPEC	-	A 4	00779	©- 1623932	-
2 PLC ±-	WEIGHT	-	CUSTOMER DRAWING			SCALE
3 PLC ±-			SCALE 2:1			SHEET 1 OF 1
4 PLC ±-			REV BA1			
ANGLES ±5°						

